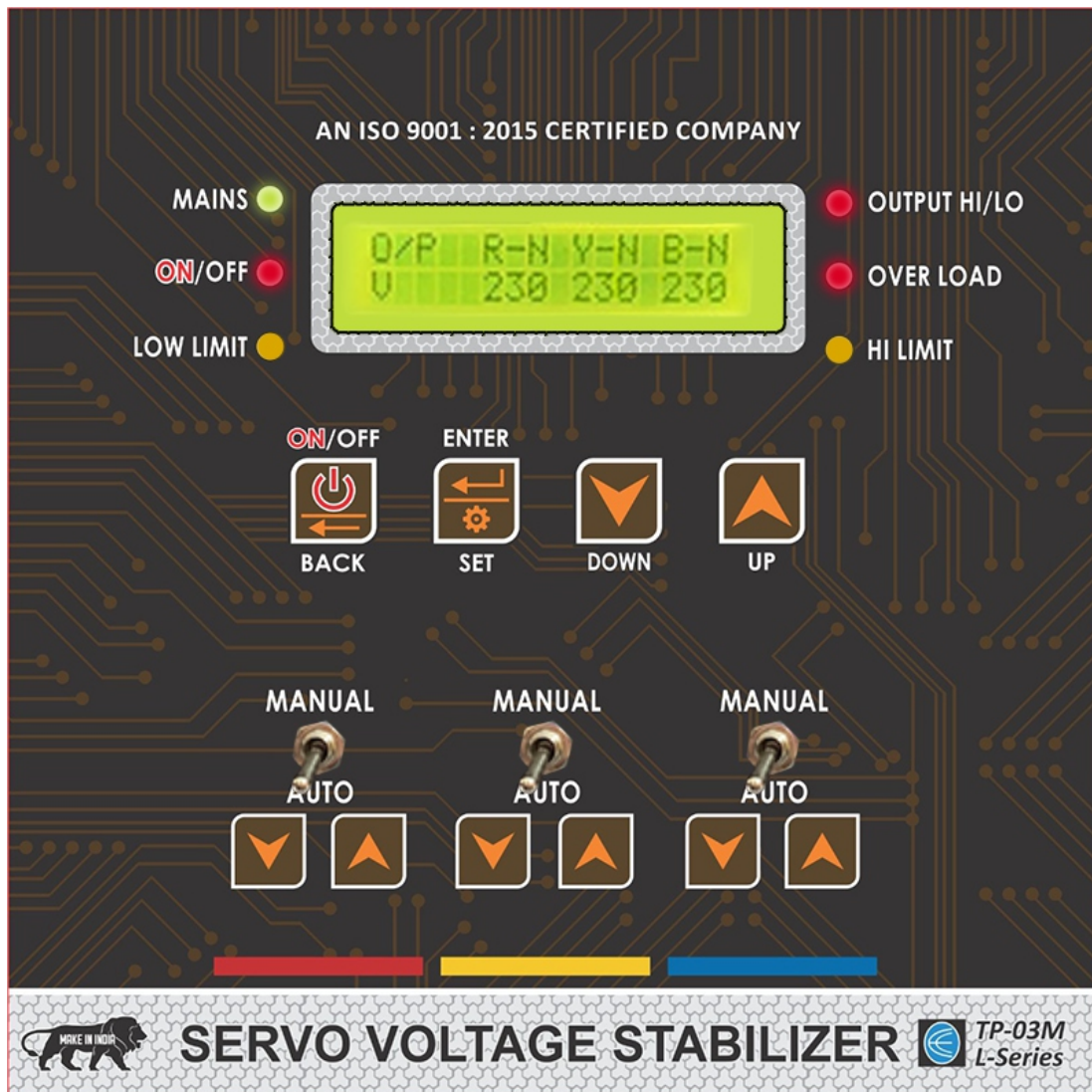


USER MANUAL

ADVANCE SERVO CONTROL CARD

L-Series TP-03 M

Based on ARM 32 Bit Cortex M4 Processor



3 Phase Servo Control Card

www.eletelectronics.com

manish.elet@gmail.com | khushal.elet@gmail.com

3 PHASE SERVO CARD OPERATING MANUAL

-: WELCOME :-
MODEL VERSION

OUTPUT ON/OFF

OUTPUT ON/OFF

RUNNING MODE DISPLAY WILL SHOW:-

NORMAL OUTPUT VOLTAGE

O/P	R-N	Y-N	B-N
V	230	230	230

**PHASE TO PHASE
OUTPUT VOLTAGE**

O/P	R-Y	Y-B	B-R
Vpp	440	440	440

NORMAL INPUT VOLTAGE

I/P	R-N	Y-N	B-N
V	200	200	200

**PHASE TO PHASE
INPUT VOLTAGE**

I/P	R-Y	Y-B	B-R
Vpp	400	400	400

CURRENT PER PHASE

Cur	R	Y	B
	100	120	98

FREQUENCY

Frequency 50 Hz

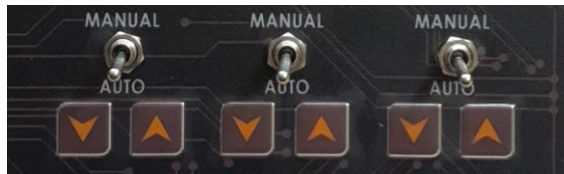
OUTPUT VOLTAGE SETTING

FOR SET OUTPUT VOLTAGE PRESS 3 SECOND TO ENTER/SET BUTTON
& SET THE VOLTAGE BY UP & DOWN KEY

OP/ VOLT SET 230

AUTO TO MANUAL MODE

USE TOGGLE SWITCHES TO SHIFT FROM AUTO TO MANUAL MODE EITHER
INDIVIDUALLY FOR EACH PHASE OR ALL TOGETHER



MANUAL R
Vo/p 230

INPUT / OUTPUT HI/LOW VOLTAGE FAULT CONDITION

HI VOLTAGE

IN/OUT H I VOLT
Vout 250 250 250

IN/OUT H I VOLT
Vin 300 300 300

LOW VOLTAGE

IN/OUT LOW VOLT
Vout 200 200 200

IN/OUT LOW VOLT
Vin 180 180 180

HI CURRENT

Hcur R Y B
120 100 110

PRESS ENTER BUTTON FOR *SELECT NEXT PARAMETER PROGRAMMING MODE

PRESS BOTH MENU/ ENTER BUTTONS ENTER IN PROGRAMMING MODE & SELECT
CHANGE PARAMETER TO CHANGE SET PARAMETERS

SET PARAMETER MODE VIEW ONLY
SET PARAMETERS

SET PARAMETER
*CHANGE PARAMTR

ENTER PASSCODE IF ANY BY
DEFAULT 000

ENTER PASSCODE
000

O/P LOW VOLTAGE & CUTOFF TIME
O/P HI VOLTAGE & CUTOFF TIME

LO* 180 TIME* 05
HI* 250 TIME* 00

SELECTABLE AUTO RESET/ MANUAL RESET
(USE ENTER KEY TO TURN MANUAL ON)

TIME DELAY RELAY & HYSTERESIS

AUTO ON/OFF YES/NO
TDR 005 HYST* 05

CTR CT RATIO FOR 100 AMP CT SET
000
ABOVE 100 AMP USE SENSING CT &
SET CT RATIO FOR EXAMPLE 100/5
SET 20
SET OVER LOAD & TIME

*CTR *OVRD *TIME
000 99 05

DISPLAY PARAMETERS YES/NO

DISPLAY WILL SHOW ALL PARAMETERS SELECT ANY ONE FOR
NOT SHOW IN DISPLAY BY DOWN KEY SET NO

VIN - INPUT VOLTAGE
VOUT - OUTPUT VOLTAGE
FREQ - FREQUENCY

VIN VOUT FREQ
YES YES YES

PPIN - PHASE TO PHASE INPUT
VOLTAGE
PPOUT - PHASE TO PHASE OUTPUT
VOLTAGE
AMP - CURRENT

PPIN PPOUT AMP
YES YES YES

CALIBRATION MODE

CALIBRATION OF O/P, I/P & CUR. DISPLAY WILL SHOW SET VOLTAGE/CURRENT
PRESS UP/DOWN KEY CALIBRATE WITH OTHER METERS

OUTPUT VOLTAGE

CAL	R	Y	B
OUT	230	230	230

INPUT VOLTAGE

CAL	R	Y	B
IN	220	220	220

CURRENT

CAL	R	Y	B
CUR	00	00	00

INPUT HIGH / LOW CUT WITH TIMER

OUTPUT CUT IN CASE OF INPUT HIGHER OR LOWER

IHI*300	TIME	05S
ILO 200	TIME	05S

HI/LOW & OVER LOAD SET PASSWORD IF REQUIRED

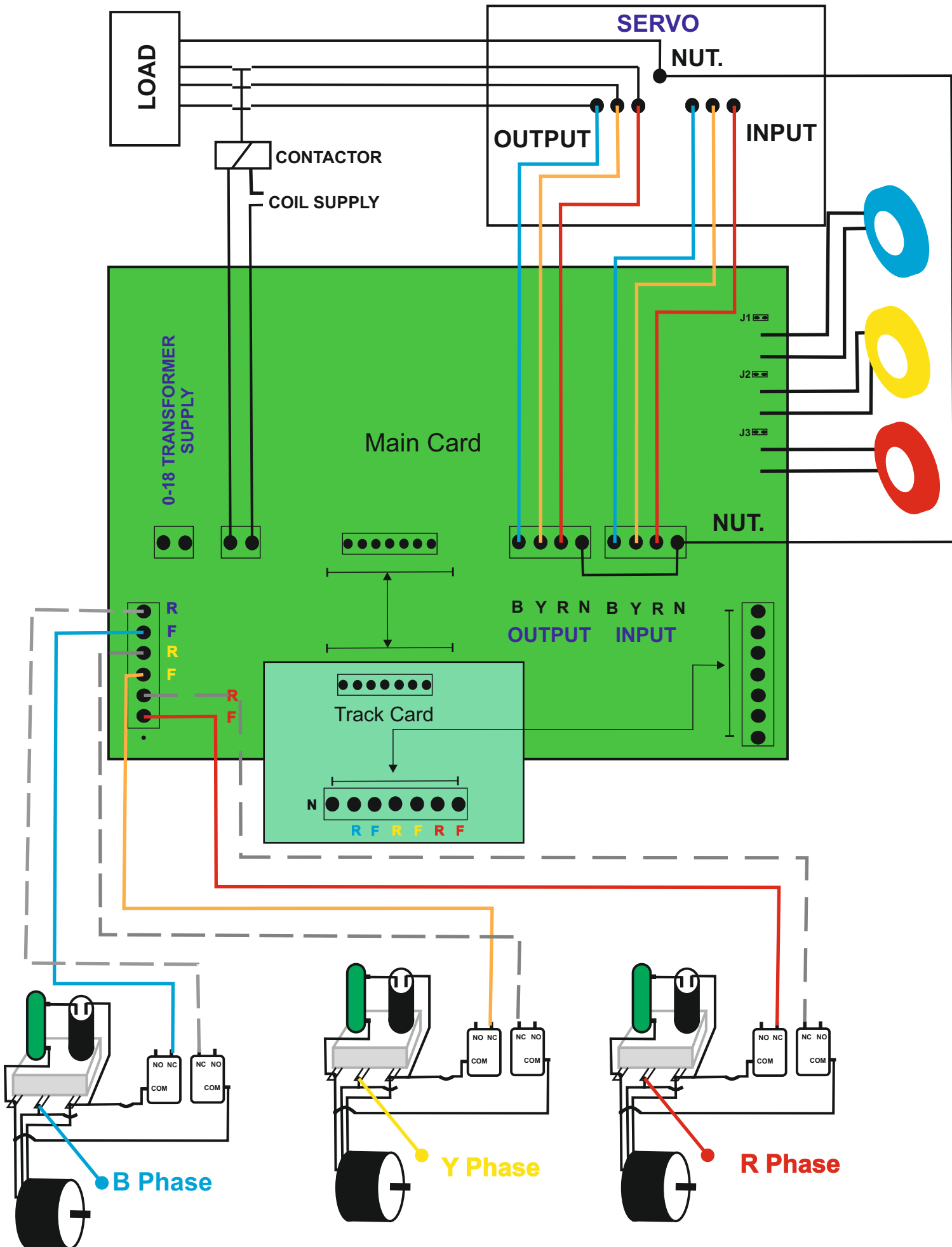
CONTACTOR & MCCB SELECT ANY ONE BY DOWN KEY

SET PASSWORD BY UP/DOWN KEY 001 TO 999

O/P CUT	*CONT/MCCB
PASSWORD	000

THANK YOU
SET PARAMETER

WIRING DIAGRAM OF THREE PHASE CARD



JUMPER SHORT FOR USING SENSING CT
JUMPER OPEN FOR USING 100 AMP CT

HOLE SIZE 4 MM

